



STEEL COLOR TECHNOLOGY, s.r.o.

Trieda A. Hlinku 21
949 01 Nitra

Kamenná predajňa:
LEHOTA 706
951 36 Lehota

0905 933 247
sykora@estplus.sk
www.est.sk
www.99.inshop.sk

CATALOGUE # 3

BLAST CABINETS
ECO-series
CAB-series

TABLE OF CONTENTS

TABLE OF CONTENTS	2
ECO-SERIES BLAST CABINETS	3
CAB-SERIES BLAST CABINETS	18
SPARE PARTS FOR BLAST CABINETS ECO/CAB	29

This Catalogue is valid from 01.05.2017.

All previous catalogues lose their validity with the publication of the new catalogue.

Technical characteristics, specifications and details published in this catalogue are subject to change without notice.

Contracor GmbH.

The latest catalogue version is available for download on our web page

www.contracor.de





BLAST CABINETS CAB-series

Economy models, for long lasting light and medium industrial use. Frontal loading or loading from above by crane. Space efficient and flexible due to use of a freestanding dust collector. For operation with fine or light abrasives. Blast cabinet is manufactured in accordance with European CE regulations, and fulfills specifications concerning operator safety and filtration of technological air.

ECO-series suction blast cabinets

The cabinets are made of continuously welded heavy-duty steel construction with hopper mounted suction blast system and freestanding cartridge dust collector.

FIELD OF APPLICATION

Abrasive blasting applications including cleaning, deburring, deflashing, finishing, peening and decorating.

Build for long lasting light to medium industrial use.

Advantages

- 
- Externally located ceiling dual fluorescent lighting offers excellent view of interior
 - Safety plate glass view window on operator side made from durable static free material
 - Large cartridge filter surface area traps over 99% of dust down to 0.5 micron
 - Integrated pass-through cabinet doors for blast cleaning of long- objects.
 - Durable pneumatic controls which offer greater reliability than electric controls that often stick and burn

ECO-80S-base, ECO-100S-base, ECO-120S-base, ECO-140S-base
– suction type blast cabinets



BASE MODEL
w/o dust collector

All-welded blast cabinet, assembled ready to use with hopper mounted suction blast system, GX manual blast gun, GXT-8 tungsten carbide nozzle, lined rubber gloves RGS-600, pneumatic pilot operated control valve, foot valve with remote control hoses.

For dust removing and good working piece visibility, the cabinet has to be connected to a DC-series dust collector (not included in scope of delivery) or to the factory's own central vacuum system.

Technical data	ECO-80S-base	ECO-100S-base	ECO-120S-base	ECO-140S-base
Interior Dimensions D x W x H, mm	750x520x660	950x720x760	1150x920x860	1350x1120x960
Overall Dimensions D x W x H, mm	950x680x1660	1150x880x1760	1350x1080x1860	1550x1280x1960
Electrical connection, kW	0,1 kW, 230V~			
Standard load capacity, kg	350			

Order code	Model	Description
10117301	ECO-80S-base	Suction type blast cabinet, base model w/o dust collector
10117302	ECO-100S-base	Suction type blast cabinet, base model w/o dust collector
10117303	ECO-120S-base	Suction type blast cabinet, base model w/o dust collector
10117304	ECO-140S-base	Suction type blast cabinet, base model w/o dust collector

Dust collectors DC-series with cartridge filter element



Dust collectors
DC-series

Dust collectors DC-series with cartridge type filter element are developed to work with ECO-series blast cabinets by operation with low-dust to medium-dust blast medias.

Dust collectors are equipped with integrated fan and timer operated pulse jet cleaning (DC-550 and DC-750 only).

Technical data	DC-370	DC-550	DC-750
Fan capacity, m ³ /h	800	870	900
Fan pressure, Pa	1075	1310	1470
Filter area (polyester), m ²	2,7	7,5	11,0
Filter cartridge pulse jet cleaned	no	yes	yes
Electrical connection, kW	0,37 kW, 380V~	0,55 kW, 380V~	0,75 kW, 380V~

Order code	Model	Description
10117512	DC-370	Dust collector with cartridge filter element, 0,37kW, 2,7 m ²
10117513	DC-550	Dust collector with cartridge filter element, 0,55kW, 7 m ²
10117514	DC-750	Dust collector with cartridge filter element, 0,75kW, 11 m ²
10117525		Pulse jet cleaning system, upgrade package for DC-370

ECO-80S, ECO-100S, ECO-120S, ECO-140S – suction type blast cabinets



ENTRY-LEVEL MODEL

Suction type blast cabinets for low-dust blast media.

All-welded blast cabinet, assembled ready to use with hopper mounted suction blast system, GX manual blast gun, GXT-8 tungsten carbide nozzle, lined rubber gloves RGS-600, pneumatic pilot operated control valve, foot valve with remote control hoses, air filter with manual drain valve, freestanding cartridge dust collector DC-370 with manual cartridge cleaning, filter cartridge, suction hose.

ECO-series blast cabinets in standard delivery are equipped with a manual cleaning of filter cartridge. Filter cartridge can be cleaned by rapid opening and closing of ball valve to dislodge dust, or can be removed and cleaned outside.

Technical data	ECO-80S	ECO-100S	ECO-120S	ECO-140S
Interior Dimensions D x W x H, mm	750x520x660	950x720x760	1150x920x860	1350x1120x960
Overall Dimensions D x W x H, mm	950x680x1660	1150x880x1760	1350x1080x1860	1550x1280x1960
Dust collector Overall Dimensions D x W x H, mm	600x600x1550	600x600x1550	600x600x1550	600x600x1550
Dust collector, type	DC-370	DC-370	DC-370	DC-370
Filter area (polyester), m ²	2,7	2,7	2,7	2,7
Filter cartridge pulse jet cleaned	no	no	no	no
Electrical connection, kW	0,5 kW, 380V~	0,5 kW, 380V~	0,5 kW, 380V~	0,5 kW, 380V~
Standard load capacity, kg	350			

Order code	Model	Description
10217101	ECO-80S	Suction type blast cabinet, Entry-level model
10217102	ECO-100S	Suction type blast cabinet, Entry-level model
10217103	ECO-120S	Suction type blast cabinet, Entry-level model
10217104	ECO-140S	Suction type blast cabinet, Entry-level model

ECO-80SF, ECO-100SF, ECO-120SF, ECO-140SF – suction type blast cabinets

Additional features

- Rubber curtains
- Pulse jet cleaning system for filter cartridge



STARTER MODEL

Professional models with increased functionality for low-dust blast media.

Special models SF are equipped with timer operated pulse jet cleaning of filter cartridge and with rubber curtains on cabinet internal walls.

Additional to the standard delivery

Special model SF	ECO-80SF	ECO-100SF	ECO-120SF	ECO-140SF
Dust collector Overall Dimensions D x W x H, mm	600x600x1550	600x600x1550	600x600x1550	600x600x1550
Dust collector, type	DC-370	DC-370	DC-370	DC-370
Filter area (polyester), m ²	2,7	2,7	2,7	2,7
Filter cartridge pulse jet cleaned	yes	yes	yes	yes
Electrical connection, kW	0,5 kW, 380V~	0,5 kW, 380V~	0,5 kW, 380V~	0,5 kW, 380V~
Standard load capacity, kg	350			

Order code	Model	Description
10217111	ECO-80SF	Suction type blast cabinet, Starter model SF – pulse jet cleaning, rubber curtains
10217112	ECO-100SF	Suction type blast cabinet, Starter model SF – pulse jet cleaning, rubber curtains
10217113	ECO-120SF	Suction type blast cabinet, Starter model SF – pulse jet cleaning, rubber curtains
10217114	ECO-140SF	Suction type blast cabinet, Starter model SF – pulse jet cleaning, rubber curtains

ECO-80SL, ECO-100SL, ECO-120SL, ECO-140SL – suction type blast cabinets

Additional features

- Freestanding powerful dust collector DC-550 (DC-750)
- Rubber curtains
- Pulse jet cleaning system for filter cartridge



**PROFESSIONAL
MODEL**

Professional models for medium duty long lasting industrial use.

Special models SL are equipped with a freestanding dust collector DC-550 or DC-750 with increased ventilation capacity, a large sized filter cartridge, a pulse jet cartridge cleaning system and rubber curtains on internal walls of cabinet.

Additional to the standard delivery

Special model SL	ECO-80SL	ECO-100SL	ECO-120SL	ECO-140SL
Dust collector Overall Dimensions D x W x H, mm	570x760x1800	570x760x1800	570x760x1800	570x760x1800
Dust collector, type	DC-550	DC-550	DC-750	DC-750
Filter area (polyester), m ²	7,5	7,5	11,0	11,0
Filter cartridge pulse jet cleaned	yes	yes	yes	yes
Electrical connection, kW	0,7 kW, 380V~	0,7 kW, 380V~	0,9 kW, 380V~	0,9 kW, 380V~
Standard load capacity, kg			350	

Order code	Model	Description
10217121	ECO-80SL	Suction blast cabinet, Professional model SL – dust collector DC-550 and rubber curtains
10217122	ECO-100SL	Suction blast cabinet, Professional model SL – dust collector DC-550 and rubber curtains
10217123	ECO-120SL	Suction blast cabinet, Professional model SL – dust collector DC-750 and rubber curtains
10217124	ECO-140SL	Suction blast cabinet, Professional model SL – dust collector DC-750 and rubber curtains

ECO-series pressure blast cabinets

The cabinets are made of continuously welded heavy-duty steel construction with hopper mounted pressure blast system and freestanding cartridge dust collector.

FIELD OF APPLICATION

Abrasive blasting applications including cleaning, deburring, deflashing, finishing, peening and decorating.

Build for long lasting light to medium industrial use.

Advantages



**ECO-80P-base, ECO-100P-base, ECO-120P-base, ECO-140P-base
– pressure type blast cabinets**



**BASE MODEL
w/o dust collector**

All-welded blast cabinet, ready to use assembled with hopper mounted pressure blast system, NTC-5 tungsten carbide nozzle, lined rubber gloves RGS-600, pneumatic pilot operated control valve, foot valve with remote control hoses.

For dust removing and good working piece visibility, the cabinet has to be connected to a DC-series dust collector (not included in scope of delivery) or to the factory's own central vacuum system.

Technical data	ECO-80P-base	ECO-100P-base	ECO-120P-base	ECO-140P-base
Interior Dimensions D x W x H, mm	750x520x660	950x720x760	1150x920x860	1350x1120x960
Overall Dimensions D x W x H, mm	950x680x1660	1150x880x1760	1350x1080x1860	1550x1280x1960
Blast machine type	CBS-13	CBS-13	CBS-13	CBS-13
Electrical connection, kW	0,1 kW, 230V~			
Standard load capacity, kg	350			

Order code	Model	Description
10117401	ECO-80P-base	Pressure type blast cabinet, base model w/o dust collector
10117402	ECO-100P-base	Pressure type blast cabinet, base model w/o dust collector
10117403	ECO-120P-base	Pressure type blast cabinet, base model w/o dust collector
10117404	ECO-140P-base	Pressure type blast cabinet, base model w/o dust collector

Dust collectors DC-series with cartridge filter element



Dust collectors DC-series

Dust collectors DC-series with cartridge type filter element are developed to work with ECO-series blast cabinets by operation with low-dust to medium-dust blast medias.

Dust collectors are equipped with integrated fan and timer operated pulse jet cleaning (DC-550 and DC-750 only).

Technical data	DC-370	DC-550	DC-750
Fan capacity, m ³ /h	800	870	900
Fan pressure, Pa	1075	1310	1470
Filter area (polyester), m ²	2,7	7,5	11,0
Filter cartridge pulse jet cleaned	no	yes	yes
Electrical connection, kW	0,37 kW, 380V~	0,55 kW, 380V~	0,75 kW, 380V~

Order code	Model	Description
10117512	DC-370	Dust collector with cartridge filter element, 0,37kW, 2,7 m ²
10117513	DC-550	Dust collector with cartridge filter element, 0,55kW, 7 m ²
10117514	DC-750	Dust collector with cartridge filter element, 0,75kW, 11 m ²
10117525		Pulse jet cleaning system, upgrade package for DC-370

ECO-80P, ECO-100P, ECO-120P, ECO-140P – pressure type blast cabinets



ENTRY-LEVEL MODEL

Pressure type blast cabinets for low-dust blast media.

All-welded blast cabinet, ready to use assembled with hopper mounted pressure blast system, NTC-5 tungsten carbide nozzle, lined rubber gloves RGS-600, pneumatic pilot operated control valve, foot valve with remote control hoses, air filter with manual drain valve, freestanding cartridge dust collector DC-370 with manual cartridge cleaning, filter cartridge, suction hose.

ECO-series blast cabinets in standard delivery are equipped with a manual cleaning of filter cartridge. Filter cartridge can be cleaned by rapid opening and closing of ball valve to dislodge dust, or can be removed and cleaned outside.

Technical data	ECO-80P	ECO-100P	ECO-120P	ECO-140P
Interior Dimensions D x W x H, mm	750x520x660	950x720x760	1150x920x860	1350x1120x960
Overall Dimensions D x W x H, mm	950x680x1660	1150x880x1760	1350x1080x1860	1550x1280x1960
Dust collector Overall Dimensions D x W x H, mm	600x600x1550	600x600x1550	600x600x1550	600x600x1550
Blast machine type	CBS-13	CBS-13	CBS-13	CBS-13
Dust collector, type	DC-370	DC-370	DC-370	DC-370
Filter area (polyester), m ²	2,7	2,7	2,7	2,7
Filter cartridge pulse jet cleaned	no	no	no	no
Electrical connection, kW	0,5 kW, 380V~	0,5 kW, 380V~	0,5 kW, 380V~	0,5 kW, 380V~
Standard load capacity, kg	350			

Order code	Model	Description
10217201	ECO-80P	Pressure type blast cabinet, Entry-level model
10217202	ECO-100P	Pressure type blast cabinet, Entry-level model
10217203	ECO-120P	Pressure type blast cabinet, Entry-level model
10217204	ECO-140P	Pressure type blast cabinet, Entry-level model

ECO-80PF, ECO-100PF, ECO-120PF, ECO-140PF – pressure type blast cabinets

Additional features

- Rubber curtains
- Pulse jet cleaning system for filter cartridge



STARTER MODEL

Professional models with increased functionality for low-dust blast media.

Special models PF are equipped with timer operated pulse jet cleaning of filter cartridge and are fitted with rubber curtains on cabinet internal walls.

Additional to the standard delivery

Special model PF	ECO-80PF	ECO-100PF	ECO-120PF	ECO-140PF
Dust collector Overall Dimensions D x W x H, mm	600x600x1550	600x600x1550	600x600x1550	600x600x1550
Dust collector, type	DC-370	DC-370	DC-370	DC-370
Filter area (polyester), m ²	2,7	2,7	2,7	2,7
Filter cartridge pulse jet cleaned	yes	yes	yes	yes
Electrical connection, kW	0,5 kW, 380V~	0,5 kW, 380V~	0,5 kW, 380V~	0,5 kW, 380V~
Standard load capacity, kg	350			

Order code	Model	Description
10217211	ECO-80PF	Pressure type blast cabinet, Starter model PF – pulse jet cleaning, rubber curtains
10217212	ECO-100PF	Pressure type blast cabinet, Starter model PF – pulse jet cleaning, rubber curtains
10217213	ECO-120PF	Pressure type blast cabinet, Starter model PF – pulse jet cleaning, rubber curtains
10217214	ECO-140PF	Pressure type blast cabinet, Starter model PF – pulse jet cleaning, rubber curtains

ECO-80PL, ECO-100PL, ECO-120PL, ECO-140PL – pressure type blast cabinets

Additional features

- Freestanding powerful dust collector DC-550 (DC-750)
- Rubber curtains
- Pulse jet cleaning system for filter cartridge



**PROFESSIONAL
MODEL**

Professional models for medium duty long lasting industrial use.

Special models PL are equipped with a freestanding dust collector DC-550 or DC-750 with increased ventilation capacity, a large sized filter cartridge, a pulse jet cartridge cleaning system and rubber curtains on internal walls of cabinet.

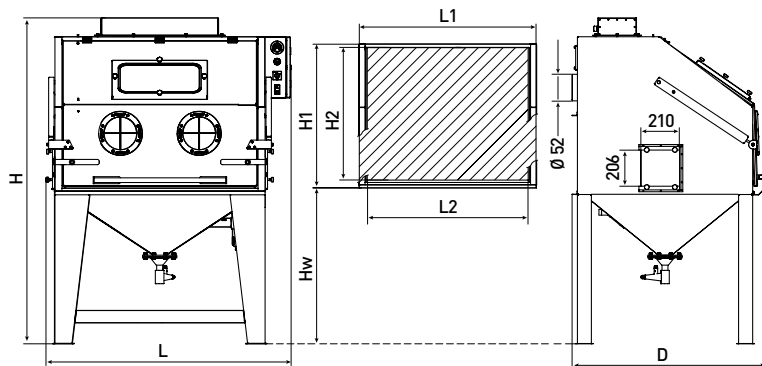
Additional to the standard delivery

Special model PL	ECO-80PL	ECO-100PL	ECO-120PL	ECO-140PL
Dust collector Overall Dimensions D x W x H, mm	570x760x1800	570x760x1800	570x760x1800	570x760x1800
Dust collector, type	DC-550	DC-550	DC-750	DC-750
Filter area (polyester), m ²	7,5	7,5	11,0	11,0
Filter cartridge pulse jet cleaned	yes	yes	yes	yes
Electrical connection, kW	0,7 kW, 380V~	0,7 kW, 380V~	0,9 kW, 380V~	0,9 kW, 380V~
Standard load capacity, kg	350			

Order code	Model	Description
10217221	ECO-80PL	Pressure blast cabinet, Professional model PL – dust collector DC-550 and rubber curtains
10217222	ECO-100PL	Pressure blast cabinet, Professional model PL – dust collector DC-550 and rubber curtains
10217223	ECO-120PL	Pressure blast cabinet, Professional model PL – dust collector DC-750 and rubber curtains
10217224	ECO-140PL	Pressure blast cabinet, Professional model PL – dust collector DC-750 and rubber curtains

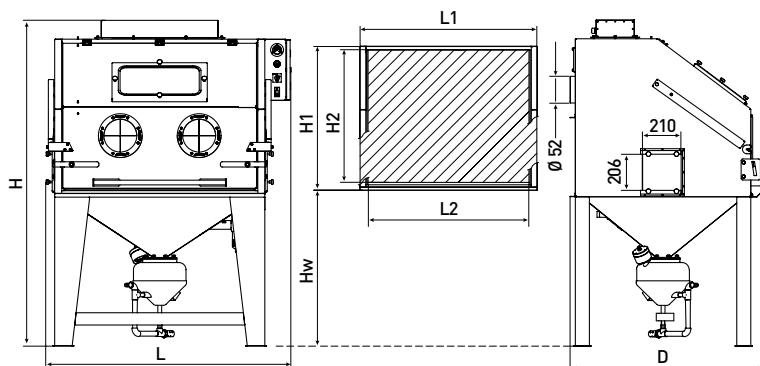
Blast cabinets ECO-series overall dimensions

Suction blast cabinets



Model	H (mm)	Hw (mm)	H1 (mm)	H2 (mm)	L (mm)	L1 (mm)	L2 (mm)	D (mm)
ECO-80S-base	1665	890	680	620	1000	800	680	685
ECO-100S-base	1760	890	780	715	1200	1000	860	910
ECO-120S-base	1860	890	880	820	1400	1200	1085	1110
ECO-140S-base	2185	1145	950	885	1560	1400	1240	1255

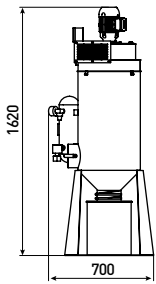
Pressure blast cabinets



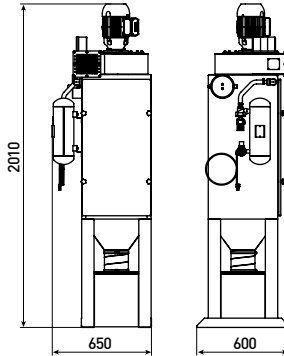
Model	H (mm)	Hw (mm)	H1 (mm)	H2 (mm)	L (mm)	L1 (mm)	L2 (mm)	D (mm)
ECO-80P-base	1665	890	680	620	1000	800	680	685
ECO-100P-base	1760	890	780	715	1200	1000	860	910
ECO-120P-base	1860	890	880	820	1400	1200	1085	1110
ECO-140P-base	2185	1145	950	885	1560	1400	1240	1255

Dust collector DC-390, DC-550, DC-750 overall dimensions

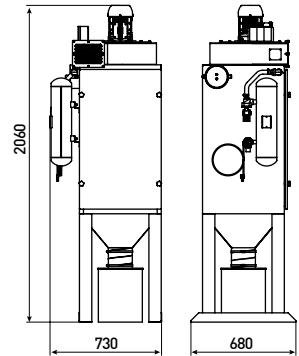
DC-370



DC-550



DC-750





BLAST CABINETS CAB-series

Professional models, for medium duty long lasting industrial use. Heavy-duty all-welded steel construction. Loading through extra-wide door on each side. Large dimensioned cyclone reclaimer for blast media cleaning. Powerful dust collector for working with heavyweight blast media. Blast cabinet is manufactured in accordance with European CE regulations and fulfills regulations concerning operator safety and filtration of technological air.

CAB-series suction blast cabinets

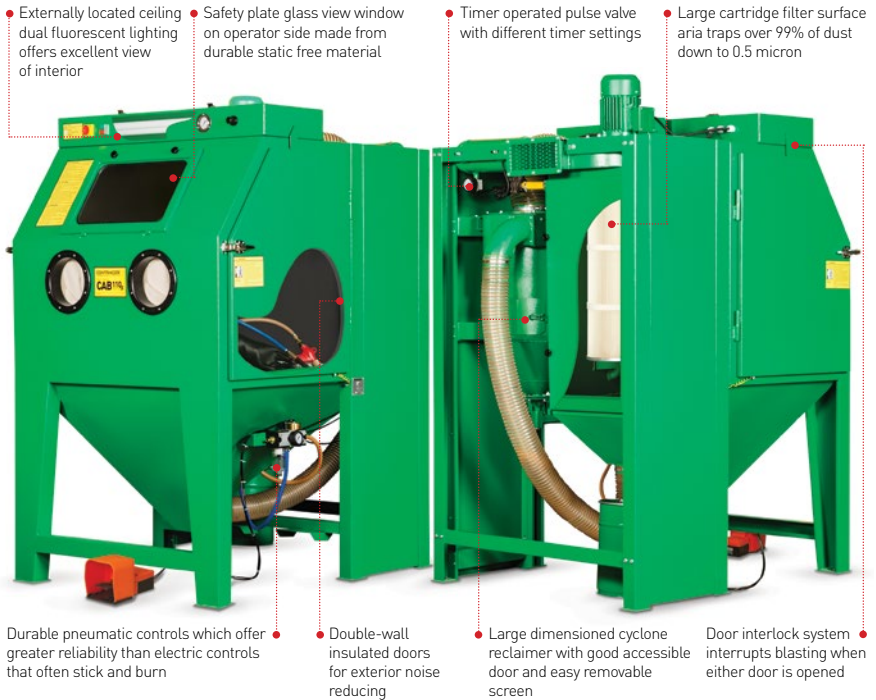
Industrial use all-in-one blast cabinet includes injection blast system, blast media reclaimer and pulse cleaned cartridge dust collector.

FIELD OF APPLICATION

Abrasive blasting applications including cleaning, deburring, deflashing, finishing, peening and decorating.

Build for long lasting industrial use for operation with fine or light abrasives.

Advantages

- 
- Externally located ceiling dual fluorescent lighting offers excellent view of interior
 - Safety plate glass view window on operator side made from durable static free material
 - Timer operated pulse valve with different timer settings
 - Large cartridge filter surface area traps over 99% of dust down to 0.5 micron
 - Durable pneumatic controls which offer greater reliability than electric controls that often stick and burn
 - Double-wall insulated doors for exterior noise reducing
 - Large dimensioned cyclone reclaimer with good accessible door and easy removable screen
 - Door interlock system interrupts blasting when either door is opened

Designed to work with

Aluminum oxide, silicon carbide, garnet, glass beads, steel grit and steel shot, plastic abrasives.

CAB-110S, CAB-135S - suction type blast cabinets



Standard delivery

All-welded blast cabinet, ready to use assembled with media recovery hoses, abrasive metering valve, transparent media delivery hose, air hose, GX manual blast gun with GXT-8 tungsten carbide nozzle, lined rubber gloves RGS-800, pilot operated control valve, foot valve with remote control hoses, air filter with manual drain valve, cartridge dust filter, timer operated pulse jet cleaning system, safety and disposable glass window assembly.

Technical data	CAB-110S	CAB-135S
Interior Dimensions D x W x H, mm	1100x800x840	1350x1100x1070
Overall Dimensions D x W x H, mm	1220x1340x1990	1470x1700x2140
Door Opening W x H, mm	690x840	1000x1000
Dust collector, type	DC-1100	DC-1500
Cyclone reclaim, type	R-350	R-400
Filter area (polyester), m ²	7,5	11,0
Filter cartridge pulse jet cleaned	yes	yes
Electrical connection, kW	1,20 kW, 380V~	1,60 kW, 380V~
Standard load capacity, kg	350	350

Order code	Model	Description
10215105	CAB-110S	Suction type blast cabinet, standard delivery
10215106	CAB-135S	Suction type blast cabinet, standard delivery

CAB-110SD, CAB-135SD – suction type blast cabinets

Additional features



SD special model

Professional models with increased functionality.

Special models SD are equipped with pass-through cabin doors on each side and are fitted with rubber curtains. Pass-through cabinet doors for blast cleaning of long-length parts. Pass size 350 x 350 mm. Equipped with a damper plate and a rubber shield.

Additional to the standard delivery

Special model SD	CAB-110SD	CAB-135SD
Pass-through cabinet doors, left/right	yes	yes
Pass size, mm	350x350	350x350
Standard load capacity, kg	350	350

Order code	Model	Description
10215109	CAB-110SD	Suction blast cabinet, special model SD - pass-through cabinet doors and rubber curtains
10215110	CAB-135SD	Suction blast cabinet, special model SD - pass-through cabinet doors and rubber curtains

CAB-110ST, CAB-135ST – suction type blast cabinets



ST special model

Additional features

- Rubber curtains
- Turntable with cart and tracks



Professional models for medium duty long lasting industrial use.

Heavy or awkward parts are more easily moved inside a blast cabinet with a turntable. The turntable provides safe and convenient blasting access and can increase productivity significantly. Special models ST are equipped with a turntable TTM-500 / TTM-800 with cart and tracks and are fitted with rubber curtains on cabinet internal walls.

Additional to the standard delivery

Special model ST	CAB-110ST	CAB-135ST
Turntable type	TTM-500-110	TTM-800-135
Turntable diameter, mm	500	800
Cabinet overall dimensions with installed trucks D x W x H, mm	2950x1340x1990	3680x1700x2140
Standard load capacity, kg	350	350

Order code	Model	Description
10215111	CAB-110ST	Suction blast cabinet, special model ST – turntable with cart and tracks and rubber curtains
10215112	CAB-135ST	Suction blast cabinet, special model ST – turntable with cart and tracks and rubber curtains

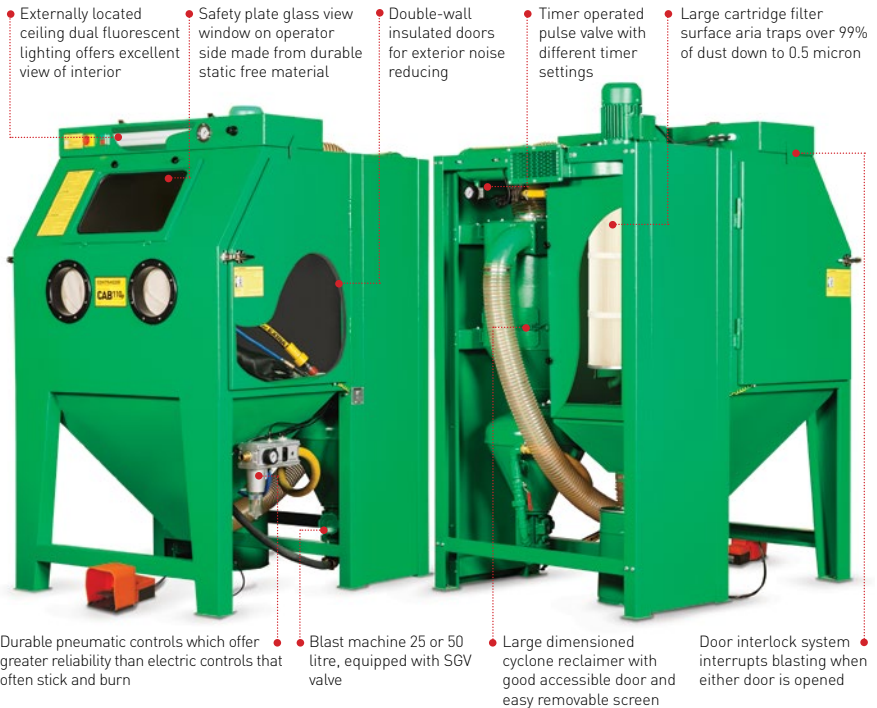
CAB-series pressure blast cabinets

Industrial use all-in-one blast cabinet includes direct pressure blast system, blast media reclaimer and pulse cleaned cartridge dust collector.

FIELD OF APPLICATION

Abrasive blasting applications including cleaning, deburring, deflashing, finishing, peening and decorating. Built for long lasting industrial use for high performance operation with all types of abrasives.

Advantages



Designed to work with

Aluminum oxide, silicon carbide, garnet, glass beads, steel grit and steel shot, plastic abrasives.

CAB-110P, CAB-135P – pressure type blast cabinets



Standard delivery

All-welded blast cabinet, ready to use assembled with 25 or 50 liter blast machine, media recovery hoses, sandblast hose ExtraBlast-19, nylon hose coupling CQP-3/4, nylon nozzle holder NHP 3/4, STC-6,5 tungsten carbide nozzle, lined rubber gloves RGS-800, pilot operated control valve, foot valve with remote control hoses, air filter with manual drain valve, cartridge dust filter, timer operated pulse valve, safety and disposable glass window assembly.

Technical data	CAB-110P	CAB-135P
Interior Dimensions D x W x H, mm	1100x800x840	1350x1100x1070
Overall Dimensions D x W x H, mm	1220x1340x1990	1470x1700x2140
Door Opening W x H, mm	690x840	1000x1000
Blast machine type	CBS-25	CBS-25
Dust collector, type	DC-1100	DC-1500
Cyclone reclaim, type	R-350	R-400
Filter area (polyester), m ²	7,5	11,0
Filter cartridge pulse jet cleaned	yes	yes
Electrical connection, kW	1,20 kW, 380V~	1,60 kW, 380V~
Standard load capacity, kg	350	350

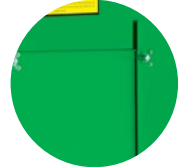
Order code	Model	Description
10215205	CAB-110P	Pressure type blast cabinet, standard delivery
10215206	CAB-135P	Pressure type blast cabinet, standard delivery

CAB-110PD, CAB-135PD – pressure type blast cabinets

Additional features



• Pass-through cabinet doors



• Rubber curtains



PD special model

Professional models with increased functionality.

Special models PD are equipped with pass-through cabinet doors on each side and are fitted with rubber curtains on cabinet internal walls. Pass-through cabinet doors for blast cleaning of long-objects. Pass size 350 x 350 mm. Equipped with a damper plate and a rubber shield.

Additional to the standard delivery

Special model PD	CAB-110PD	CAB-135PD
Pass-through cabinet doors, left/right	yes	yes
Pass size, mm	350x350	350x350
Standard load capacity, kg	350	350

Order code	Model	Description
10215209	CAB-110PD	Pressure blast cabinet, special model PD - pass-through cabinet doors and rubber curtains
10215210	CAB-135PD	Pressure blast cabinet, special model PD - pass-through cabinet doors and rubber curtains

CAB-110PT, CAB-135PT – pressure type blast cabinets



Additional features

• Rubber curtains

• Turntable with cart and tracks



PT special model

Professional models for medium duty long lasting industrial use.

Heavy or awkward parts are more easily moved inside a blast cabinet with a turntable. The turntable provides safe and convenient blasting access and can increase productivity significantly. Special models PT are equipped with a turntable TTM-500 / TTM-800 with cart and tracks and are fitted with rubber curtains on cabinet internal walls.

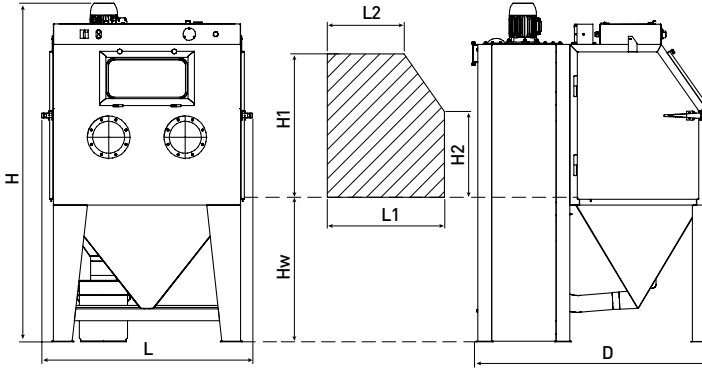
Additional to the standard delivery

Special model PT	CAB-110PT	CAB-135PT
Turntable type	TTM-500-110	TTM-800-135
Turntable diameter, mm	500	800
Cabinet overall dimensions with installed trucks D x W x H, mm	2950x1340x1990	3680x1700x2140
Standard load capacity, kg	350	350

Order code	Model	Description
10215211	CAB-110PT	Pressure blast cabinet, special model PT – turntable with cart and tracks and rubber curtains
10215212	CAB-135PT	Pressure blast cabinet, special model PT – turntable with cart and tracks and rubber curtains

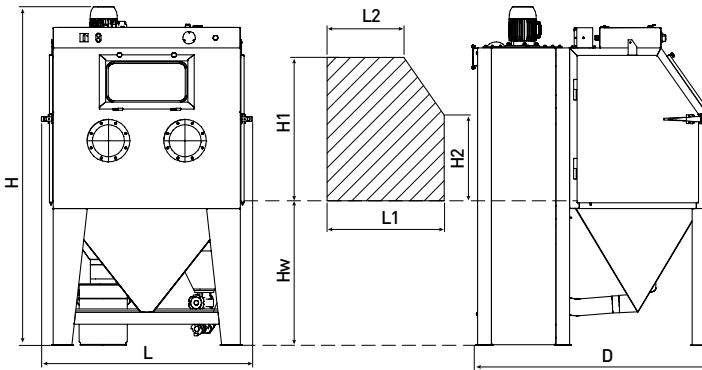
Blast cabinets CAB-series overall dimensions

Suction blast cabinets



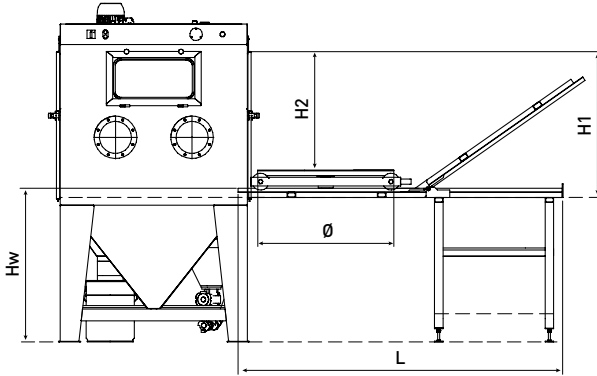
Model	H (mm)	Hw (mm)	H1 (mm)	H2 (mm)	L (mm)	L1 (mm)	L2 (mm)	D (mm)
CAB-110S	1990	849	840	502	1240	688	450	1390
CAB-135S	2160	847	1000	502	1490	988	645	1770

Pressure blast cabinets



Model	H (mm)	Hw (mm)	H1 (mm)	H2 (mm)	L (mm)	L1 (mm)	L2 (mm)	D (mm)
CAB-110P	1990	849	840	502	1240	688	450	1390
CAB-135P	2160	847	1000	502	1490	988	645	1770

Turnables with cart and tracks
overall dimensions



Model	Ø (mm)	Hw (mm)	H1 (mm)	H2 (mm)	L (mm)
TTM-500-110	500	890 - 934	840	680	1910
TTM-500-135	500	890 - 934	1000	840	2205
TTM-800-135	800	890 - 934	1000	840	2205



SPARE PARTS FOR BLAST CABINETS
ECO-series / CAB-series

Filter cartridges for ECO/CAB



SPARE PARTS for blast cabinets ECO/CAB

Filters for cleaning of air pollution and dust in blast cabinets ECO/CAB.

All Contracor blast cabinets ECO/CAB types are equipped with cartridge type air filters. Filters ensure a permitted concentration of dust particles of max. 5 mg/m³. Filters are made of cellulose fibre with a polyester coating.

Order code	Model	Description
22070106		Cartridge filter 2,7 m ² , polyester, for dust collector DC-370
22070103		Cartridge filter 7,5 m ² , polyester, for dust collector DC-550/DC-1100
22070104		Cartridge filter 11,0 m ² , polyester, for dust collector DC-750/DC-1500

Turntables with cart and tracks

Turntable

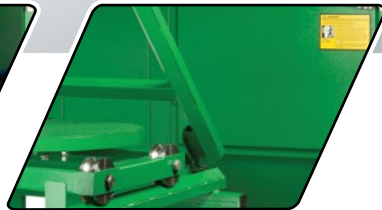


Heavy or awkward parts are more easily moved inside a blast cabinet with a turntable. The turntable provides safe and convenient blasting access and can increase productivity significantly. Standard load capacity: 350 kg.

Loading position



Working position



Order code	Model	Description
10115701	TTM-500-110	Turntable Ø 500mm, with cart and tracks, for CAB-110
10115702	TTM-500-135	Turntable Ø 500mm, with cart and tracks, for CAB-135
10115712	TTM-800-135	Turntable Ø 800mm, with cart and tracks, for CAB-135

Stationary turntables

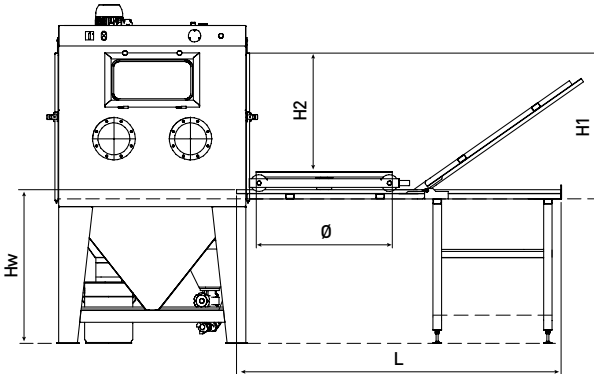
Turntable



The stationary turntable provides safe and convenient blasting access and can increase productivity significantly.

Order code	Model	Description
10115700	TTS-500	Turntable Ø 500mm, stationary
10115710	TTS-800	Turntable Ø 800mm, stationary

Turntables with cart and tracks overall dimensions



Model	Ø (mm)	Hw (mm)	H1 (mm)	H2 (mm)	L (mm)
TTM-500-110	500	890 - 934	840	680	1910
TTM-500-135	500	890 - 934	1000	840	2205
TTM-800-135	800	890 - 934	1000	840	2205

RGS / RGA blast cabinet gloves



Blast cabinet gloves

Contracor blast gloves are designed to withstand the harsh environment within a blast cabinet. All Contracor blast gloves are very comfortable and provide excellent durability and functionality.

RGS blast cabinet gloves

Full-length and seamless RGS-type gloves are manufactured from natural rubber with a cotton lining.

It aid in eliminating of static shock as well as providing superior flexibility and feel.

The RGS-type gloves fit larger floor model blast cabinets with a 200 mm glove hole

RGA blast cabinet gloves

Ambidextrous and seamless RGA-type gloves are manufactured from natural rubber with a cotton lining.

It aid in eliminating of static shock as well as providing superior flexibility and feel. Rough gloves surface allows good grip and prevents slips and falls. Ambidextrous gloves can be replaced singly when worn.

Order code	Model	Description
10115605	RGS-800	Rubber blast cabinet gloves, length 800 mm, port size 200 mm, seamless, smooth, cotton lining, pair (left/right)
10115606	RGS-600	Rubber blast cabinet gloves, length 600 mm, port size 200 mm, seamless, smooth, cotton lining, pair (left/right)
10115610	RGA-800	Rubber blast cabinet gloves, length 800 mm, port size 200 mm, seamless, rough, cotton lining, ambidextrous, pair (left=right)
10115611	RGA-600	Rubber blast cabinet gloves, length 600 mm, port size 200 mm, seamless, rough, cotton lining, ambidextrous, pair (left=right)

Rubber curtains

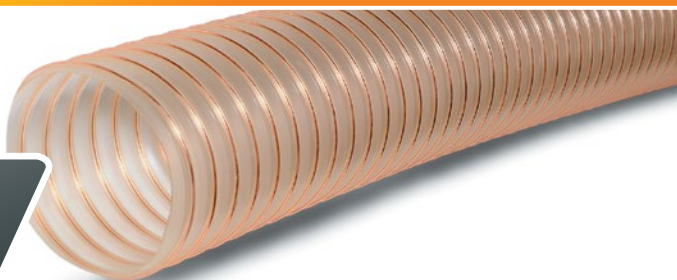


SPARE PARTS for blast cabinets ECO/CAB

To extend the life of the cabinet enclosure, the interior walls and doors should be lined with rubber curtains. Curtains protect the shell of the blast cabinet from either the direct blast stream and abrasive ricochet. Curtains plates are made of special wear resistant rubber and can be easily installed and replaced when worn.

Order code	Model	Description
10117519		Rubber curtain set, black, for ECO-80
10117520		Rubber curtain set, black, for ECO-100
10117521		Rubber curtain set, black, for ECO-120
10117522		Rubber curtain set, black, for ECO-140
10115810		Rubber curtain set, black, for CAB-110
10115811		Rubber curtain set, black, for CAB-135

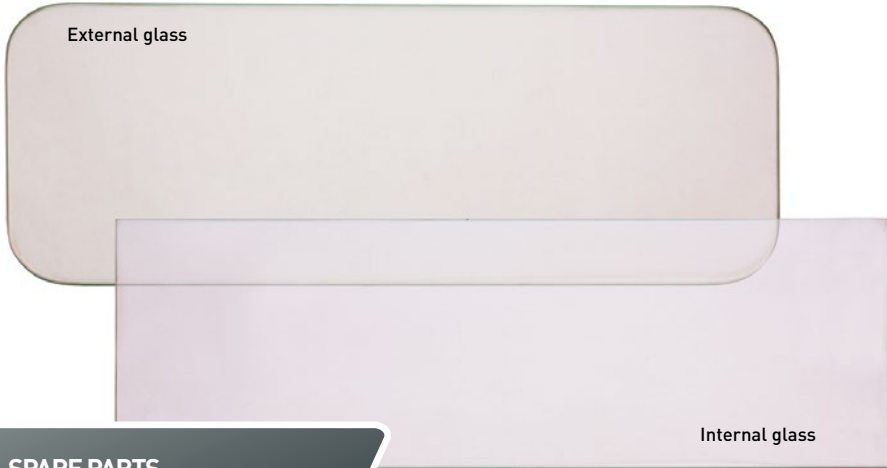
Suction hose



SPARE PARTS for blast cabinets ECO/CAB

Order code	Model	Description
41101002		Suction hose, polyurethane Ø102, 1m.
41101003		Suction hose, polyurethane Ø150, 1m.

Replacement glass for ECO/CAB



SPARE PARTS for blast cabinets ECO/CAB

Disposable window, for ECO/CAB

All Contracor blast cabinets ECO/CAB types are equipped with an internal disposable window made of regular plate glass.

Glass windows are static free and do not attract dust particles like plastic windows. Disposable window can be cut to size from a simple glass plate and used as replacement.

Safety glass window, for ECO/CAB

All Contracor blast cabinets ECO/CAB types are equipped with an outer safety glass window. Use of outer safety glass window is mandated by European CE regulations and ensures safe cabinet operation.

Order code	Model	Description
22030001		Safety glass window, for ECO/CAB
22030002		Disposable window, for ECO/CAB


GX – suction blast manual gun

Spare parts for suction blast cabinets ECO/CAB-series



The GX gun directs a high-speed mixture of air and abrasive to quickly remove corrosion, coatings, heat treatment residue or other substances.

The GX blast gun provides comfortable grip for operator and allows precise control of blast pattern. The gun keeps the air jet and blast nozzle precisely aligned to maximize blast efficiency and minimize gun-body wear. A knurled nut at gun outlet allows operator to change nozzles without tools. Works with most recyclable blast media – glass bead, ceramics, aluminum oxide, and some sizes of steel grit and shot.

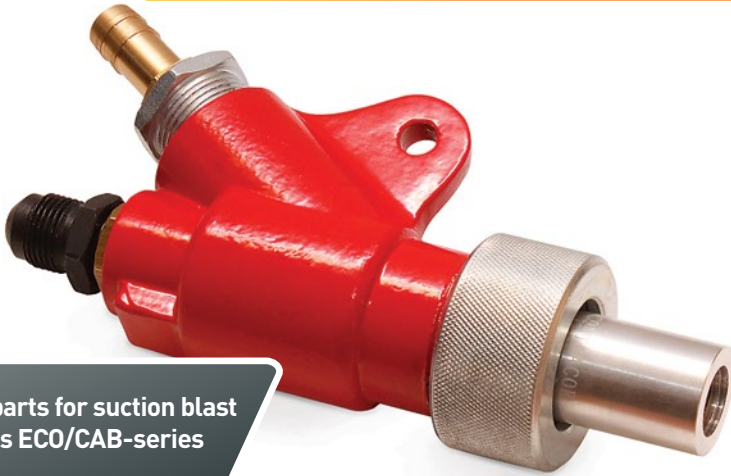


Advantages

- Precisely shaped mixing chamber eliminates slugging for a permanent media flow
- Standard tungsten carbide nozzles last longer than ceramic nozzles in most applications
GX gun accepts assorted air jet and nozzle sizes to take advantage of the available air supply
- Comfortable pistol-grip design reduces operator fatigue and increases productivity during prolonged blasting

Order code	Model	Description
10115300	GX	Suction blast gun, without nozzle

GA-suction blast automatic gun



Spare parts for suction blast cabinets ECO/CAB-series

The GA gun directs a high-speed mixture of air and abrasive to quickly remove corrosion, coatings, heat treatment residue or other substances.

The GA blast gun provides high performance blasting by using of high aggressive or heavy blast media. The gun keeps the air jet and blast nozzle precisely aligned to maximize blast efficiency and minimize gun-body wear. Gun construction allows precise control of blast pattern. A knurled nut at gun outlet allows operator to change nozzles without tools.

Works with most recyclable blast media – steel grit and shot, silicon carbide, garnet, aluminum oxide, glass bead and ceramics.

Advantages



• Fixtured gun reduces operator fatigue and increases productivity during prolonged blasting. Adjustable bracket allows gun fixture in all possible blast directions

• High wearing resistance, long channel boron carbide nozzle. GA gun accepts assorted air jet and nozzle sizes to take advantage of the available air supply

• Precisely shaped mixing chamber eliminates slugging for a permanent media flow

Order code	Model	Description
10115301	GA	Suction blast gun, without nozzle

Adjustable gun bracket for suction blast gun

Spare parts for suction blast cabinets ECO/CAB-series



The adjustable bracket holds the blast gun at a specific position while you lift and manipulate the part under it. It helps reduce window frosting by keeping the blast pointed away from the glass. Adjustable gun bracket usually used in conjunction with a turntable.

Order code	Model	Description
10115805		Adjustable gun bracket L _{min/max} 140/250 mm for suction blast gun
10115806		Adjustable gun bracket L _{min/max} 365/635 mm for suction blast gun

Nozzles type GXT for GX blast gun

Spare parts for suction blast cabinets ECO/CAB-series



Abrasive blast nozzles made from high-quality tungsten carbide (TC).
Service life - up to 400 h.
For using with lightweight and fine grain size blast media.

Order code	Model	Description
10115502	GXT-6	Tungsten carbide nozzle for GX blast gun, Ø 6 mm
10115508	GXT-8	Tungsten carbide nozzle for GX blast gun, Ø 8 mm
10115509	GXT-10	Tungsten carbide nozzle for GX blast gun, Ø 10 mm

Nozzles type GXB for GX blast gun

Spare parts for suction blast cabinets ECO/CAB-series

Abrasive blast nozzles made from high-quality boron carbide (B4C).
Service life - up to 1000 h.
For use with aggressive blast media with fine and medium grain size.



Order code	Model	Description
10115510	GXB-6	Boron carbide nozzle for GX blast gun, Ø 6 mm
10115511	GXB-8	Boron carbide nozzle for GX blast gun, Ø 8 mm
10115512	GXB-10	Boron carbide nozzle for GX blast gun, Ø 10 mm

Nozzles type GAB for GA blast gun

Spare parts for suction blast cabinets ECO/CAB-series

Abrasive blast nozzles made from high-quality boron carbide (B4C). Service life - up to 1000 h.
Cover: Aluminum.
For using with aggressive blast media with fine and middle grain size



Order code	Model	Description
10115504	GAB-6	Boron carbide nozzle for GA blast gun, Ø 6 mm
10115507	GAB-8	Boron carbide nozzle for GA blast gun, Ø 8 mm
10115513	GAB-10	Boron carbide nozzle for GA blast gun, Ø 10 mm

Air jets for suction blast guns GX/GA

Spare parts for suction blast cabinets ECO/CAB-series



Order code	Model	Description
10115305		Air jet, Ø 2.4 mm, universal for suction blast guns GX/GA
10115306		Air jet, Ø 3.2 mm, universal for suction blast guns GX/GA
10115307		Air jet, Ø 4.0 mm, universal for suction blast guns GX/GA
10115308		Air jet, Ø 5.0 mm, universal for suction blast guns GX/GA

Air jets and compressed air requirements

Compressed air requirement is dependent from air jet installed in suction blast gun. Select the best jet size and jet - nozzle composition for the application and used blast media.

Ø air jet mm	Ø blast nozzles mm	Required air volume m ³ /min at working pressure, bar								
		2	3	4	5	6	7	8	10	12
3,2	6,0	0,245	0,326	0,406	0,487	0,568	0,649	0,730	0,891	1,050
4,0	8,0	0,436	0,579	0,723	0,865	1,010	1,150	1,300	1,585	1,870
5,0	10,0	0,681	0,905	1,130	1,350	1,580	1,180	2,030	2,480	2,930

Pressure blast cabinet hoses

According to DIN 53516:
Max. 60 mm³
Avg. 52 mm³



Spare parts for pressure blast cabinets ECO/CAB-series

ExtraBlast high wearing resistance blast media hose is used in professional range blast cabinets. It can be used with all common blast media, is very durable and flexible.

Order code	Model	Description
10112108	ExtraBlast-13	ID 13 mm blast media hose, 1m
10112115	ExtraBlast-19	ID 19 mm blast media hose, 1m

Nozzle holders NHP

Nozzle holders NHP-3/4 or NHP-0 accept all CONTRACOR blast nozzles with thread 50 mm or 3/4" respectively.

Material: nylon.

Thread 50 mm or 3/4" – suitable for the thread of CONTRACOR nozzles.

Equipped with a rubber washer and screws.



Spare parts for pressure blast cabinets ECO/CAB-series

Order code	Model	Description
10112209	NHP-0	Nozzle holders for hoses 13 x 27 mm, thread 3/4"
10112200	NHP-3/4	Nozzle holders for hoses 19 x 33 mm, thread 50 mm

Hose couplings CQP

Cabinet hose couplings CQP-3/4 and CQP-0 are made from high-impact nylon and will not crack or shatter.

Material: nylon.

Equipped with rubber washer, screws and safety clip.



Spare parts for pressure blast cabinets ECO/CAB-series

Order code	Model	Description
10112309	CQP-0	Hose couplings for abrasive blasting hoses 13 x 27 mm
10112300	CQP-3/4	Hose couplings for abrasive blasting hoses 19 x 33 mm

Nozzles type STC

Spare parts for pressure blast cabinets ECO/CAB-series

Wear-resistant short Venturi blasting nozzles made of tungsten carbide (TC). Service life - up to 400 h.

Cover: Aluminum

Thread: Aluminium, 50 mm for NHP nozzle holder

Entry size: 25 mm



Order code	Model	Description
10112570	STC-5.0	Short Venturi nozzle, tungsten carbide, 5.0 mm x 80 mm
10112571	STC-6.5	Short Venturi nozzle, tungsten carbide, 6.5 mm x 80 mm
10112572	STC-8.0	Short Venturi nozzle, tungsten carbide, 8.0 mm x 80 mm
10112573	STC-9.5	Short Venturi nozzle, tungsten carbide, 9.5 mm x 80 mm
10112574	STC-11.0	Short Venturi nozzle, tungsten carbide, 11.0 mm x 80 mm
10112575	STC-12.5	Short Venturi nozzle, tungsten carbide, 12.5 mm x 80 mm

Nozzles type MTC

Spare parts for pressure blast cabinets ECO/CAB-series

Wear-resistant short Venturi blasting nozzles made of tungsten carbide (TC). Service life - up to 400 h.

Cover: Aluminum

Thread: Aluminium, 50 mm for NHP nozzle holder

Entry size: 25 mm.



Order code	Model	Description
10112560	MTC-5.0	Short Venturi nozzle, tungsten carbide, 5.0 mm x 80 mm
10112561	MTC-6.5	Short Venturi nozzle, tungsten carbide, 6.5 mm x 80 mm
10112562	MTC-8.0	Short Venturi nozzle, tungsten carbide, 8.0 mm x 80 mm
10112563	MTC-9.5	Short Venturi nozzle, tungsten carbide, 9.5 mm x 80 mm
10112564	MTC-11.0	Short Venturi nozzle, tungsten carbide, 11.0 mm x 80 mm
10112565	MTC-12.5	Short Venturi nozzle, tungsten carbide, 12.5 mm x 80 mm

Nozzles type NTC

Spare parts for pressure blast cabinets ECO/CAB-series

Wear-resistant short Venturi blasting nozzles made of tungsten carbide (TC).

Service life - up to 400 h.

Cover: Aluminum

Thread: Aluminium, 3/4" for NHP-0 nozzle holder.



Order code	Model	Description
10112550	NTC-3.5	Short Venturi nozzle, tungsten carbide, 3.5 mm x 45 mm
10112551	NTC-5.0	Short Venturi nozzle, tungsten carbide, 5.0 mm x 45 mm
10112552	NTC-6.5	Short Venturi nozzle, tungsten carbide, 6.5 mm x 45 mm
10112553	NTC-8.0	Short Venturi nozzle, tungsten carbide, 8.0 mm x 45 mm



STEEL COLOR TECHNOLOGY, s.r.o

Trieda A. Hlinku 21

949 01 Nitra

Kamenná predajňa:

LEHOTA 706

951 36 Lehota

0905 933 247

sykora@estplus.sk

www.est.sk

www.99.inshop.sk